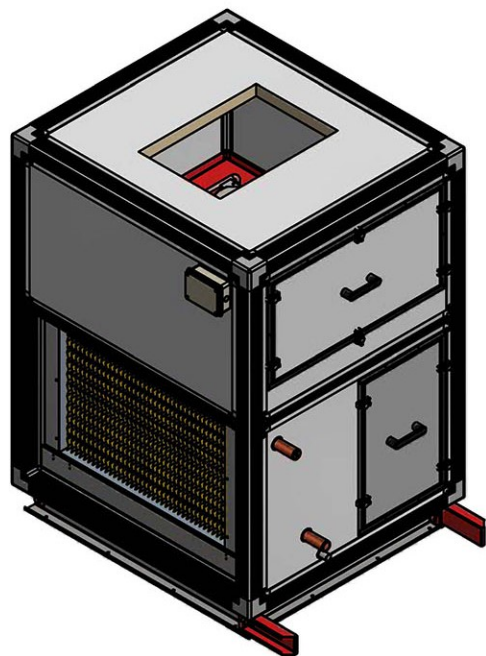
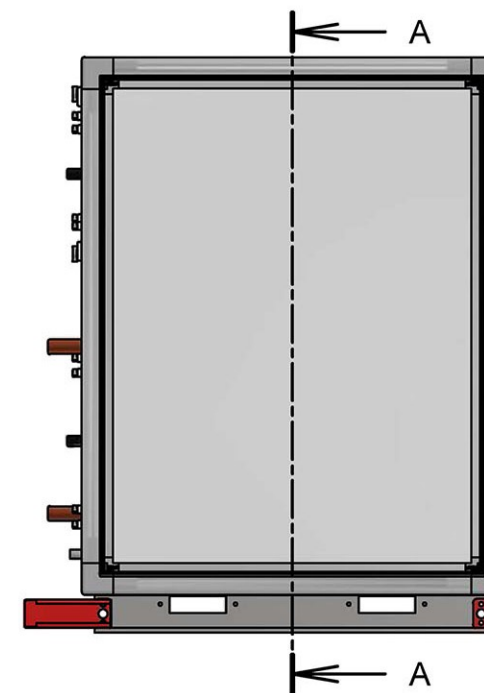
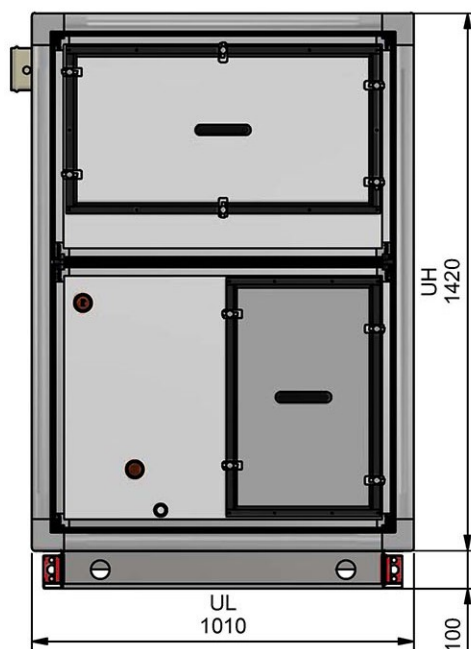
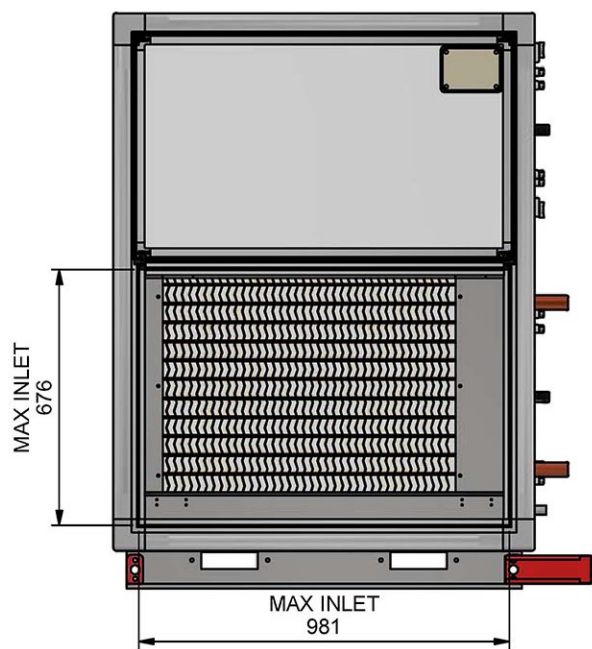
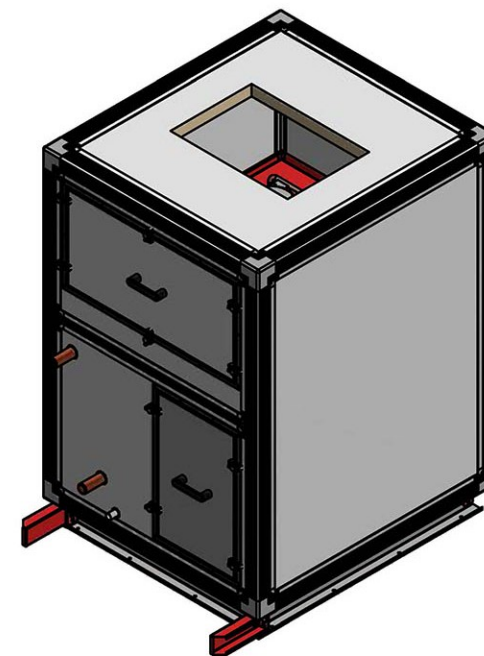
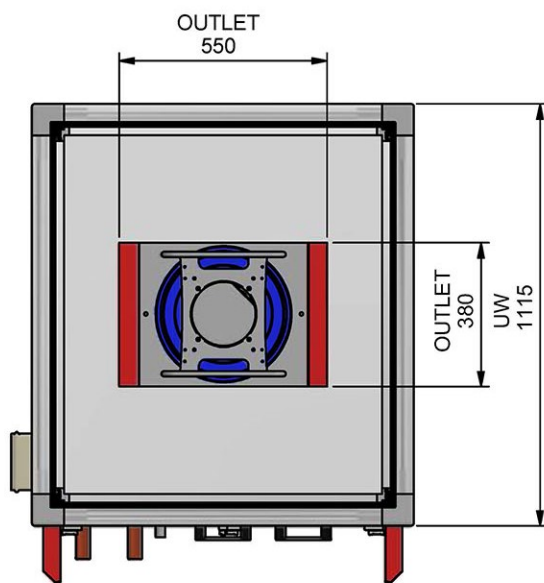


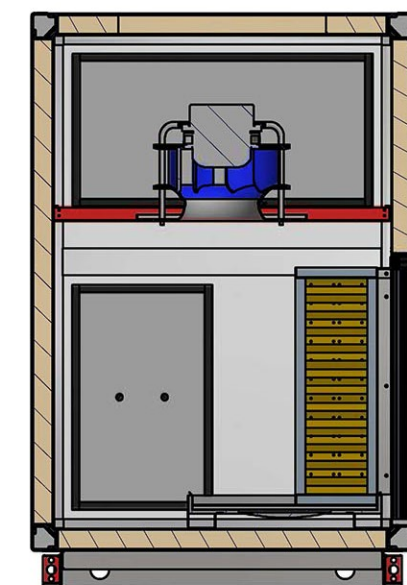
VIEW ISO 1 (1 : 25)



VIEW ISO 2 (1 : 25)



A-A (1 : 20)



MAX S/A (HORIZONTAL) : 380 X 890MM
 MAX S/A (VERTICAL) : 770 X 890MM

UNLESS OTHERWISE SPECIFIED
 DIMENSIONS ARE IN MILLIMETERS
 BREAK AND DEBUR ALL SHARP EDGES

3rd ANGLE
 PROJECTION
 DO NOT SCALE DRAWING

Rev	By	Date	Description
/00	Toh	21/03/2017	Initial Released

Fantech Pty Ltd. © A.C.N. 005 434 024
 45 NESTOR DRIVE, MEADOWBROOK, QUEENSLAND, AUSTRALIA. 4131
 TELEPHONE: (07) 32 999 888 FACSIMILE: (07) 32 999 800



DRAWN: Toh DATE: 21/3/2017
 CHKED: Sean DATE: --
 APPRD: JT DATE: --

General Layout
 ME2B-V203/G3-FCO,
 GR31(115506)x1

DRAWING NO: 868-8010-2203 REV: /00 SCALE: 1 : 20 SIZE: A3